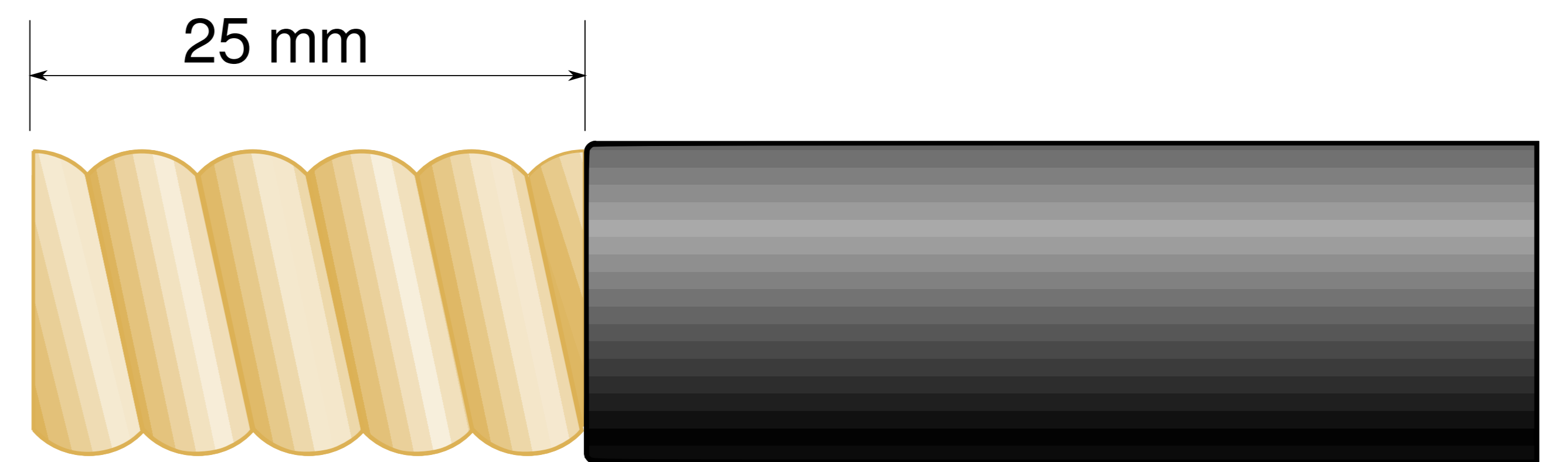
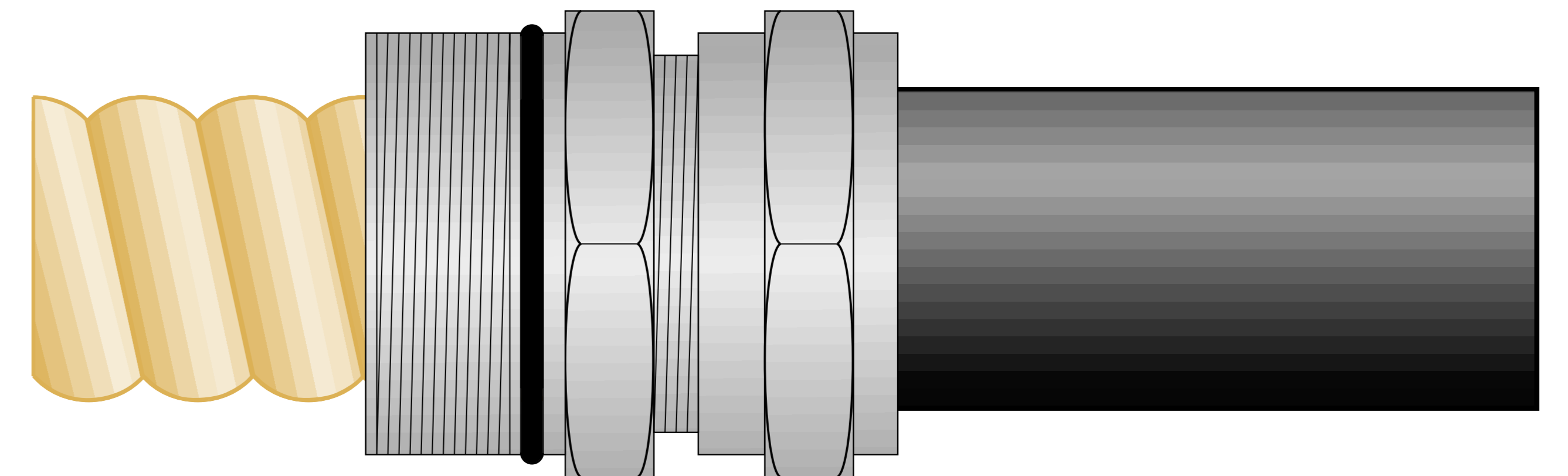


Fitting Instructions for 1/2" Superflexible Connectors N Type Male Plug

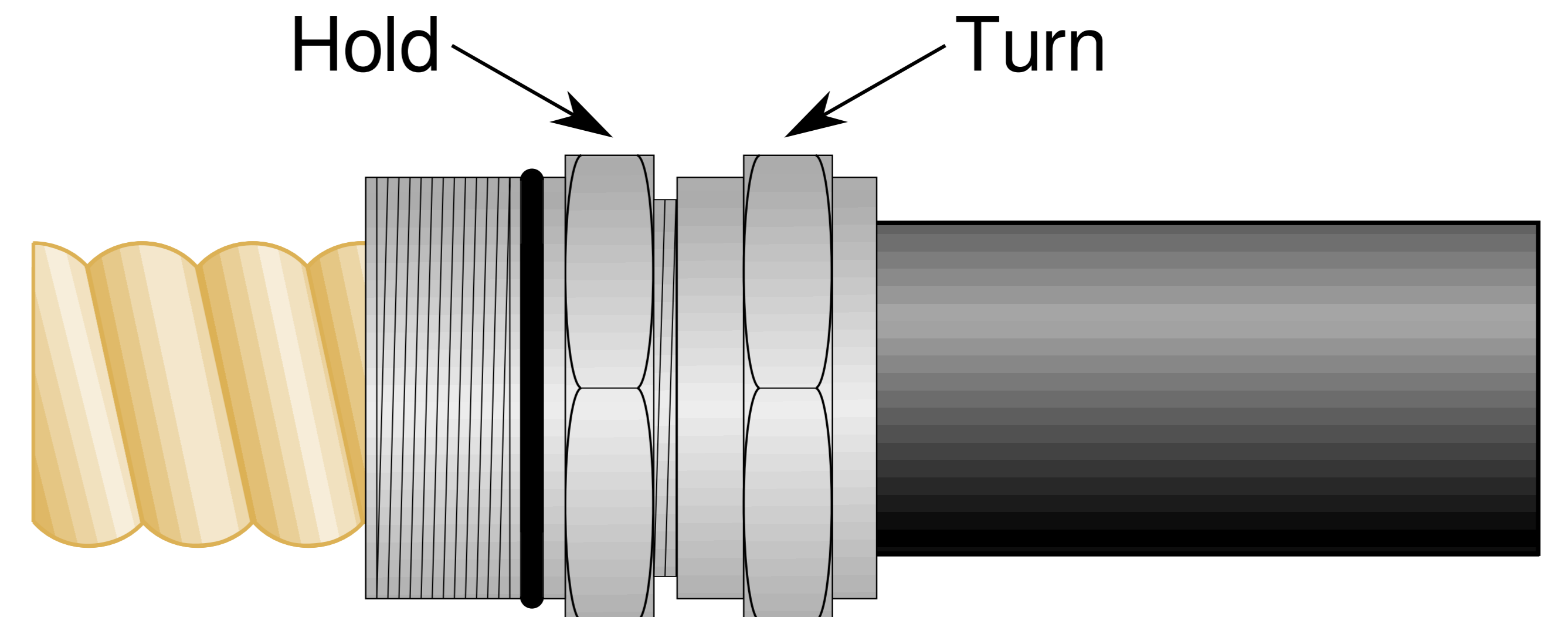
Prepare cable by cutting the end squarely then trim back outer jacket and remove approximately 25 mm



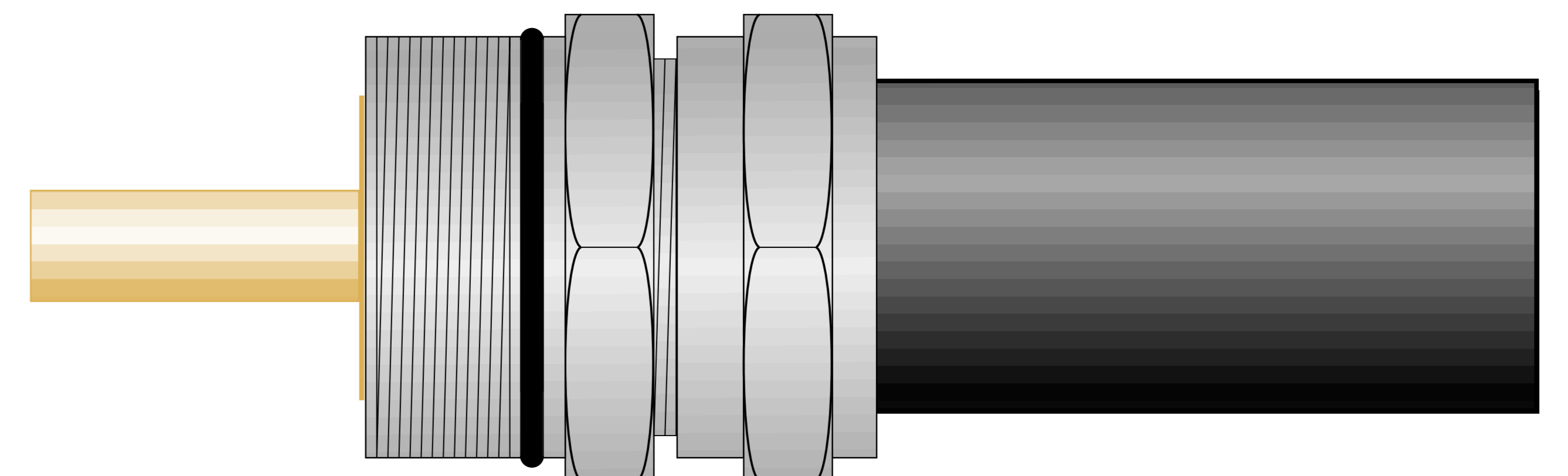
Screw on the connector locking nut firmly by hand



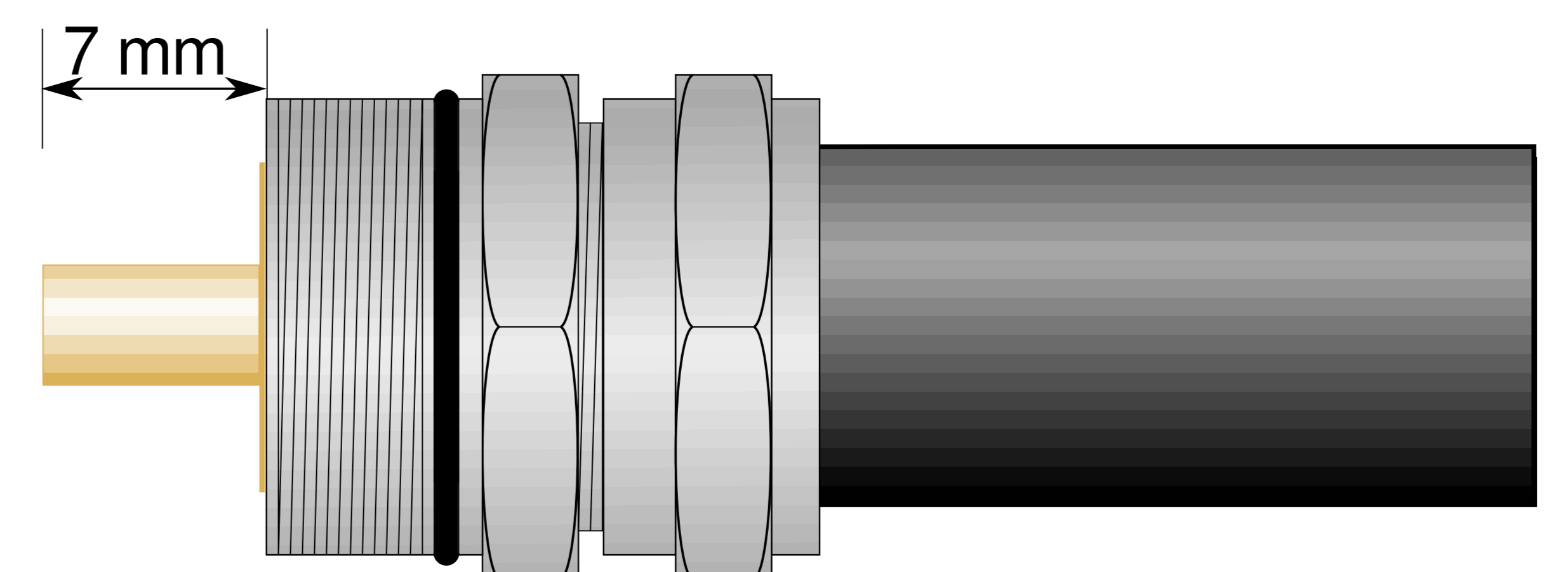
With two spanners tighten the locking nut gland



Using a sharp knife, cut the cable screen and foam dielectric flush with the body of the locking nut



Squarely trim the centre conductor so that 7mm is protruding from the locking nut, if necessary file flat then ensure any debris is cleaned away.



With two spanners, hold the locking nut stationary and tighten the connector body onto the locking nut

