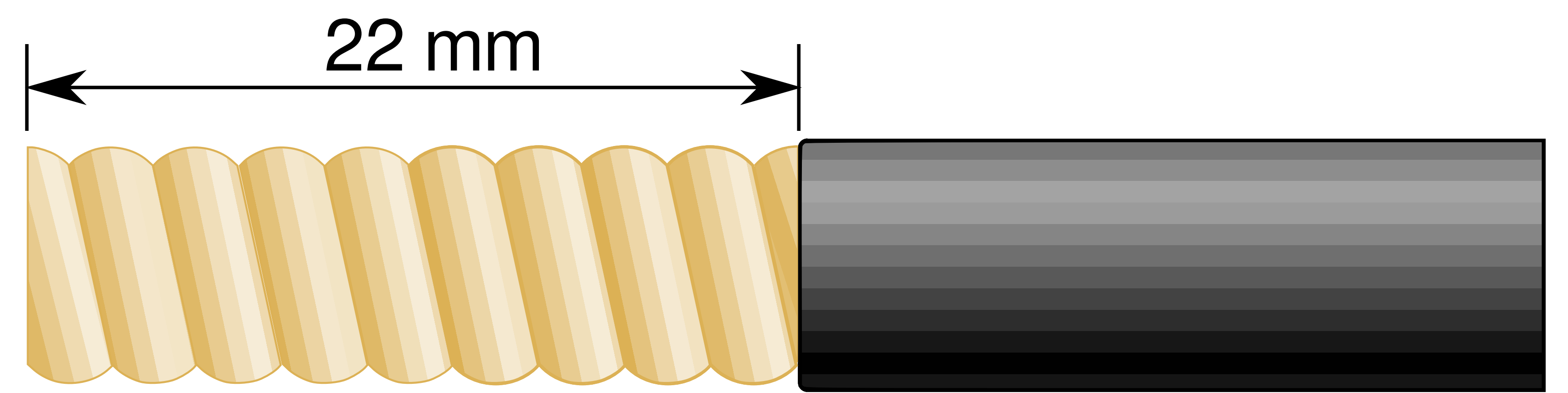


Fitting Instructions for 1/4" Superflexible Connectors

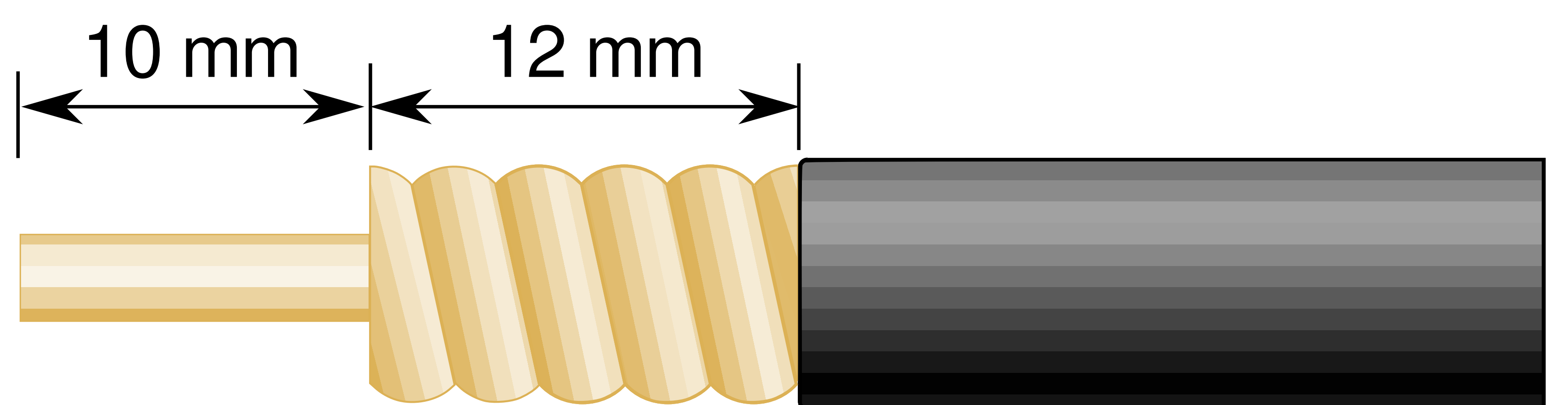
N Type Male Plug

Cable Type : FSJ1-50, SCF14-50

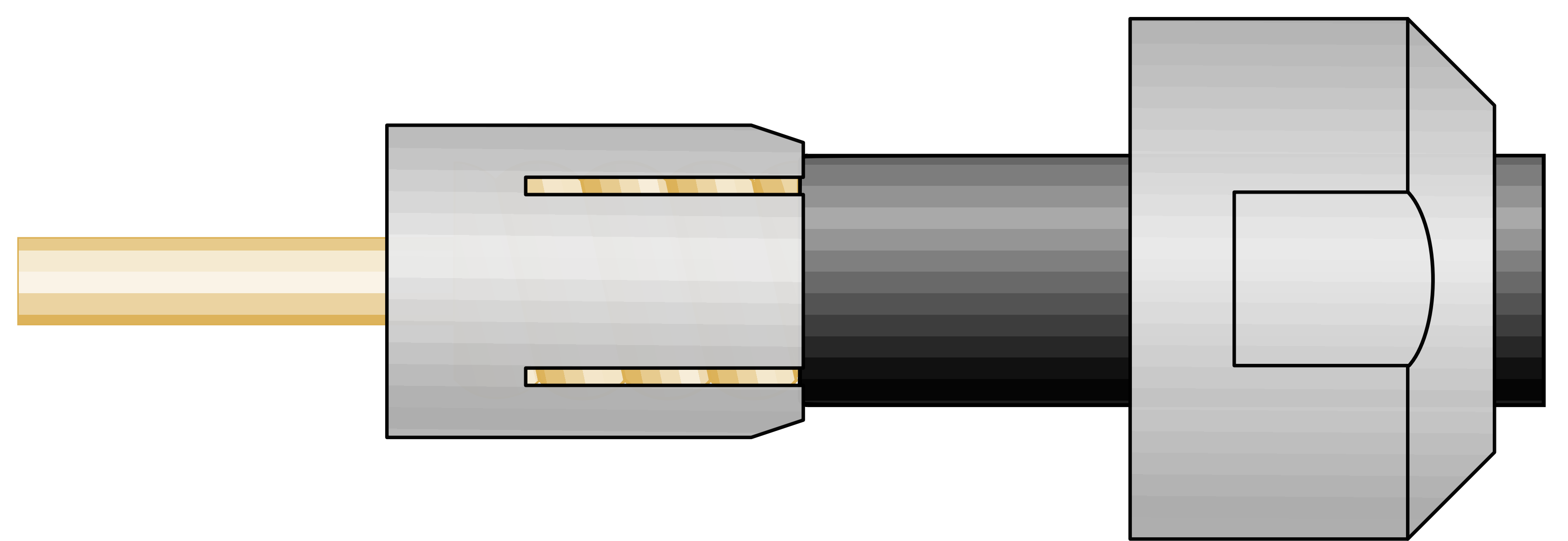
Prepare cable by cutting the end squarely then remove 22mm of the outer jacket.



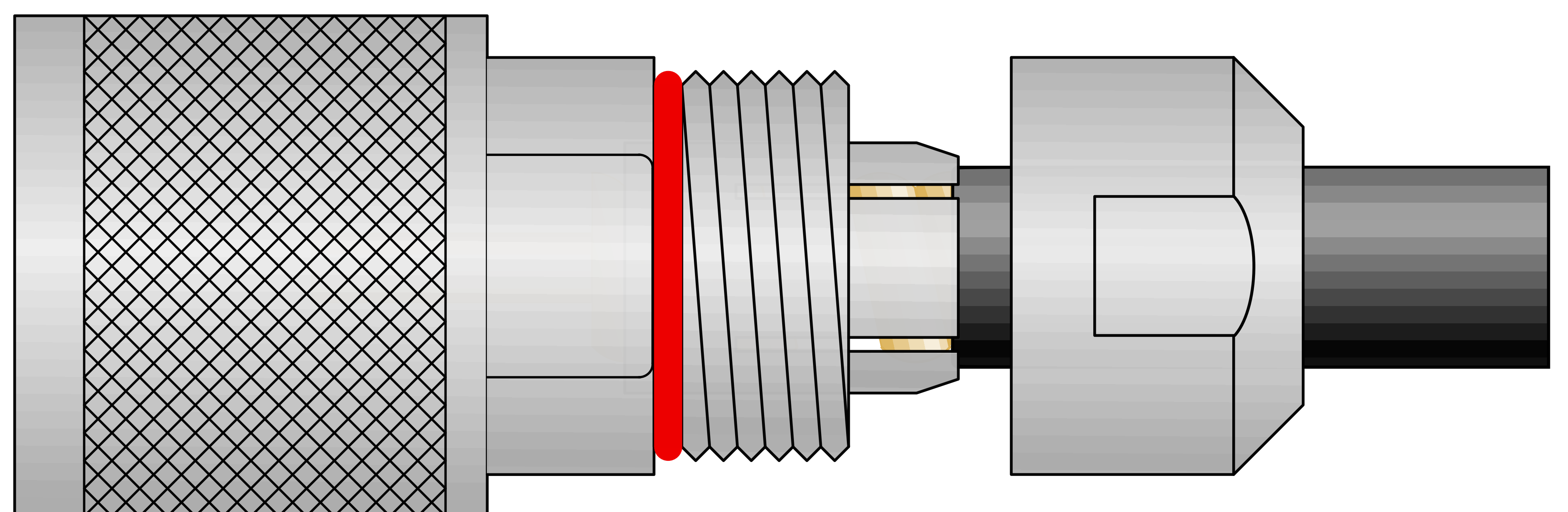
Using a sharp knife, remove 10mm of the copper screen and dielectric. Clean all copper surfaces with an alcohol wipe.



Place the back locking nut over the cable, screw the ferrule tightly onto the cable.



Push the connector body onto the cable end



With two 13mm spanners, tighten the back nut onto the connector body, holding the connector body stationary while rotating the back nut.

